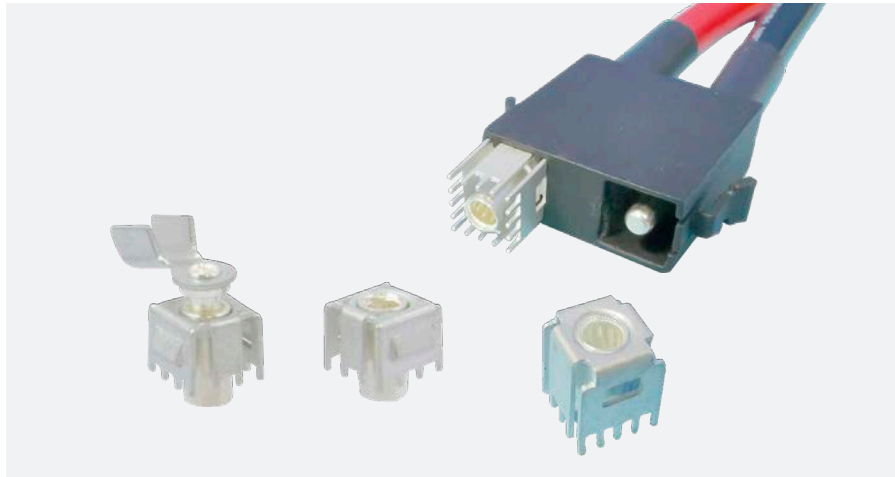


# Amphenol®



**RADSOK® PowerBlok™ WTB  
(Wire to Board)**

## RADSOK® PowerBlok™ WTB (Wire to Board)

Amphenol Industrial Operations (AIO) offers a line of low profile wire-to-board connectors. Our PowerBlok™ WTB power connectors use patented RADSOK® contact technology to meet the increasing power requirements of printed circuit boards and the need for smaller board footprint. Offered in vertical or horizontal mating planes as two-point contact terminals, the WTB product line gives the versatility needed when component placement decisions are crucial. Supplied in easily automated tape-and-reel packaging and designed as pin through-hole placement commonly used in the industry. Integration is straightforward whether from design onset or as a component replacement. With the addition of a removable lock housing, mating to the board can remain intact under harsh vibration environments.

### Features

- RADSOK® size 2.4mm or 3.6mm
- 35-70A rated current and 500VDC withstand voltage
- Two point of contact, one positive pole and one negative pole.
- Low profile and impact footprint on PCB
- 6-8 AWG crimp contact with insulated latching housings
- RADSOK® Socket and pin : silver over nickel plating
- Crimp barrel and receptacle body: tin over nickel plating

### Targeted Applications

- Datacom
- Power Supply's
- Power wire to Board
- Server
- Telecom

### Specifications

Electrical Characteristics			
Rated Current	Contact Size	2.4mm	3.6mm
	Wire Gauge	12-14 AWG	6-8 AWG
	Amperes	35	70
Rated Voltage	Refer to individual insert pattern		
Withstanding Voltage	500V DC		
Insulation Resistance	5000MΩ (Min) @500V DC		

Materials and Mechanical	
Durability	100 mating cycles minimum
Engagement Force	5.0lbf Max. <b>test pin 1</b>
Extraction Force	0.5lbf Min. <b>test pin 2</b>
Test Pin Specification	See drawing

Environmental	
Waterproof Rating	N/A
Operating Temperature	-40°C to 105°C

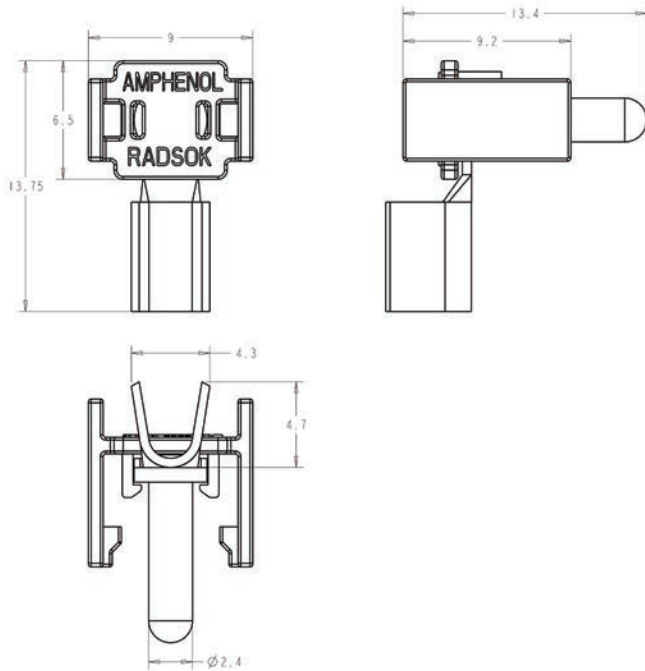
Safety	
Available in UL94 V-0 Black	
RoHS, REACH compliant	

Recommended Thickness of PCB
1.5~2.5mm

# RADSOK® PowerBlok™ WTB (Wire to Board) – Single Way

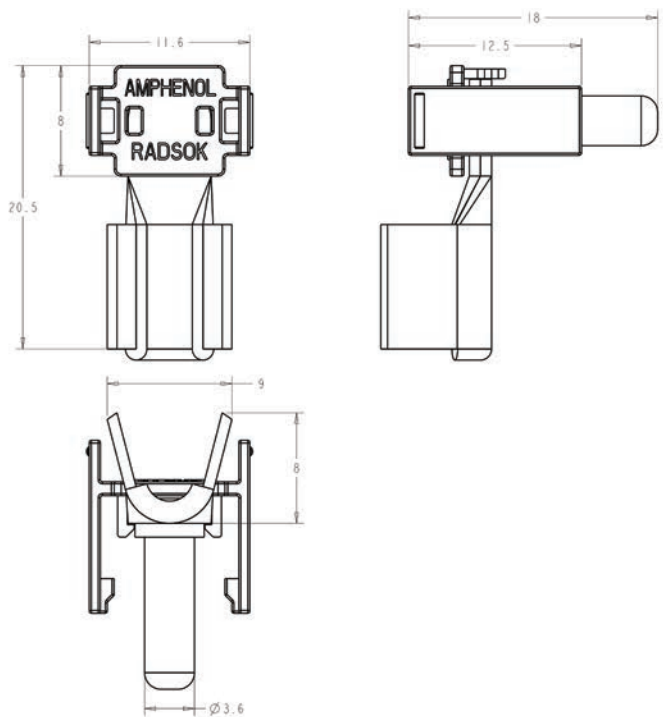
10-729455-000

2.4mm cable applied pin



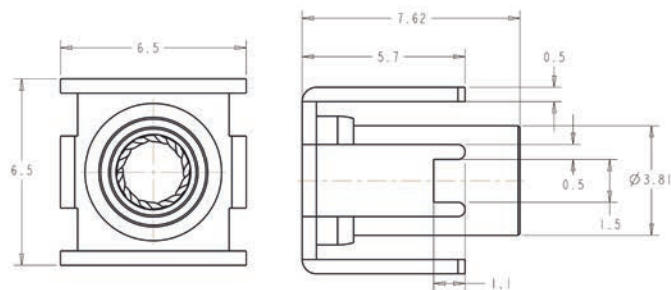
10-729922-000

3.6mm cable applied pin



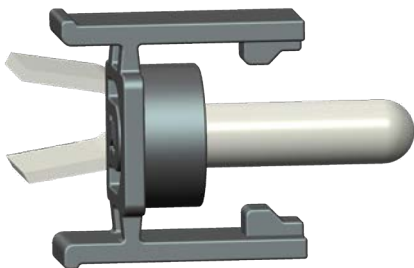
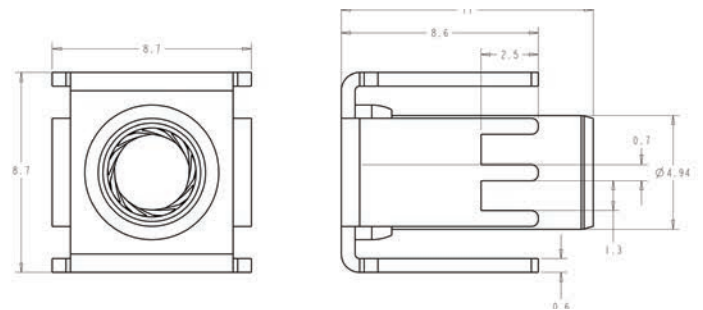
10-752001-000

2.4mm board mount receptacle



10-729923-000

3.6mm board mount receptacle

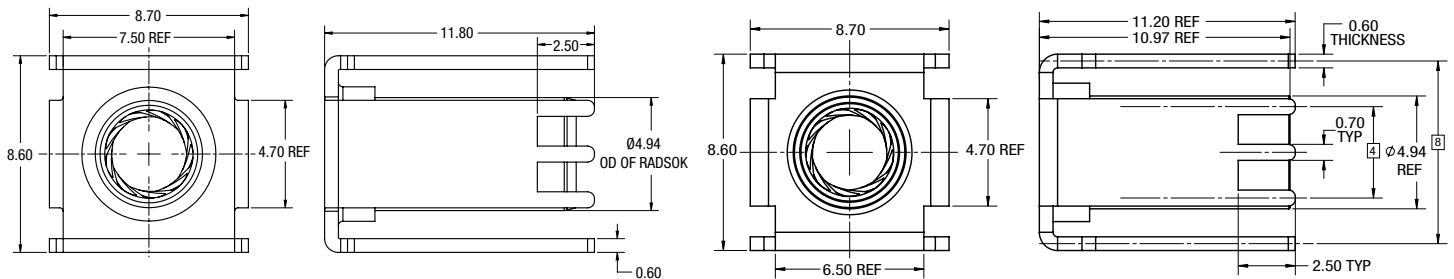
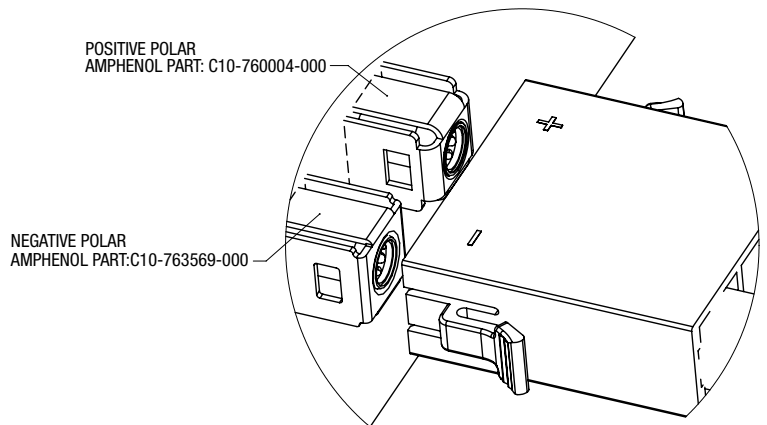


Part Number	Description
10-752001-000 (WTB024SV046110R)	2.4mm board mount receptacle
10-729455-000 (WTB024PR135000)	2.4mm cable applied pin
10-729923-000 (WTB036SV061025R)	3.6mm board mount receptacle
10-729922-000 (WTB036PR174000)	3.6mm cable applied pin

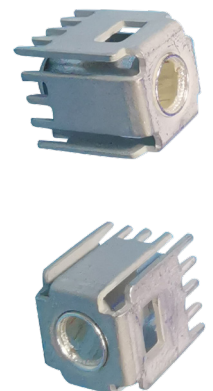
# RADSOK® PowerBlok™ WTB (Wire to Board) – Two Way



Part Number	Description
10-760004-000 (WTB036SV087250R)	3.6mm board mount positive receptacle
10-763569-000 (WTB036SV093250R)	3.6mm board mount negative receptacle
To be customized	3.6mm two way cable applied pin



1	2	3	4	5	6	7
WTB	036	X	X	XXX	XXX	X
Product Line	Radsok Size	Pin or Socket	Mating Direction	Height Above Board	Length of Terminal Pin / Cable	Package (omit for standard packing)
Wire to Board	036 = 3.6mm	P Pin	R Right Angle	087 = 8.7mm	250 = 2.50mm	R T&R
		S Socket	V Vertical	136 = 13.6mm		





**AMPHENOL CORPORATION**

**Amphenol Industrial**

Phone: 888-364-9011

191 Delaware Avenue

Sidney, NY 13838-1395

[www.amphenol-industrial.com](http://www.amphenol-industrial.com)