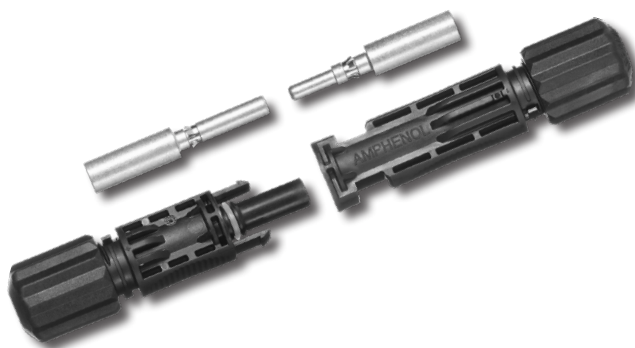


# Amphenol®



## H4 Plus™ Cu-Al PV Connectors

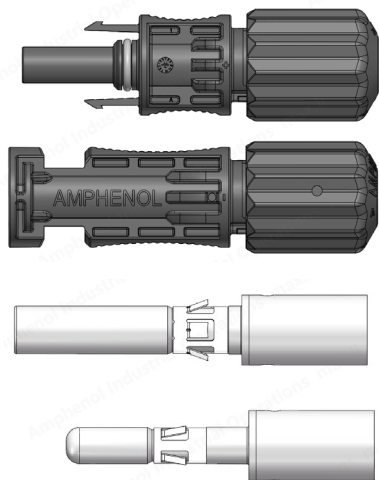
Amphenol Industrial Operations brings innovation to solar connectivity with the H4 Plus™ Cu-Al PV connectors. Engineered to bridge the gap between aluminum cables and copper-based components, these connectors are optimized for seamless integration in solar power systems. Designed to accommodate aluminum wire gauges from 10AWG (6.0mm<sup>2</sup>) to 8AWG (10mm<sup>2</sup>), they also boast an IP68 rating, ensuring dependable electrical connections, reducing resistance, and preventing hotspots.

By adopting Amphenol's Cu-Al connectors, solar projects can significantly cut costs by leveraging aluminum cables—without compromising performance or reliability. The smart design ensures ease of installation while maintaining optimal system efficiency, offering a practical solution for today's solar infrastructure. With proper installation, these connectors unlock both economic and operational advantages for any solar setup.

### Features:

- Designed to bridge the compatibility gap between aluminum cables and copper-based components in solar power systems
- $\leq 0.30\text{m}\Omega$  low resistance high quality contact ensures consistently low performance loss throughout the entire service life
- Mating compatibility with H4 connector family
- Available for 6mm<sup>2</sup>/10AWG & 10mm<sup>2</sup>/8AWG PV cable
- Cable OD range from  $\varnothing 6.5\text{mm}$  to  $\varnothing 8.8\text{mm}$
- High IP degree (IP68 1m/1h, when mated)
- UL94-V0 (self-extinguishing)
- UV resistance
- RoHS, REACH compliant

# H4 Plus™ Cu-Al PV Connectors



## Technical Data

Rated Voltage	1500V DC
Rated Current	35A(6.0mm <sup>2</sup> /10AWG), 45A(10.0 mm <sup>2</sup> /8AWG)
Withstand voltage	8KV DC
Rated impulse voltage	16KV DC
Typical contact resistance	≤ 0.3mΩ, TYP
Insulation material	Thermoplastic (PA)
Contact Material	Copper and Aluminum, tin-Plated
Type of connection	Crimping
Application Class	Class A
Over voltage category	III
Degree of Protection	IP65/IP68(1 meter, 1hours) mated, IP2X unmated
Flame class	UL94-V0
Cable OD range	Ø6.5mm~Ø8.8mm
Strip Length	12mm
Pollution Degree	2
Safety Class	Class II
Ambient Temperature range	-40°C ~ +85°C
Upper limiting temperature	115°C
Locking system	Snap locking

## How to Order a Connector (please choose one code per position, below)

1	2	3	4	5	6	7
Product Line	Product Type	Gender	Connector Type	Cable Size	Unlock Type	Packaging
H4 (H4 Series)	T (H4 Plus Cu-Al)	F Female (+)	C Cable connector	6 6.0mm <sup>2</sup> /10AWG	T Manual unlock	M 400 pcs/bag, 800 pcs/ box
		M Male (-)		8 10.0mm <sup>2</sup> /8AWG		

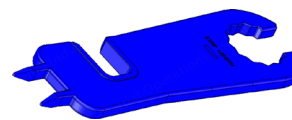
## Tools and Accessories

## Ordering Code

Hand-held electric Crimp tool	H4TTC0001
Crimp die set for 10AWG/6.0mm <sup>2</sup>	H4TTD0001
Crimp die set for 8AWG/10.0mm <sup>2</sup>	H4TTD0002
Torque wrench and unlocking tool	H4TW0009
Universal unlocking tool	H4TU0000
Contact depth inspection tool	H4TT0003
Protective cap for male side	UTXSPM
Protective cap for female side	UTXSPF



Crimp tool



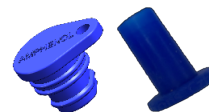
Torque wrench tool



Unlocking Tool



Crimp die set



Protective Cap



Inspection Tool

Notice: Specifications are subject to change without notice. Contact your nearest Amphenol Corporation Sales Office for the latest specifications. All statements, information and data given herein are believed to be accurate and reliable but are presented without guarantee, warranty, or responsibility of any kind, expressed or implied. Statements of suggestions concerning possible use of our products are made without representation or warranty that any such use is free of patent infringement and are not recommendations to infringe any patent. The user should assume that all safety measures are indicated or that other measures may not be required. Specifications are typical and may not apply to all connectors.

North America:  
Amphenol Industrial Operations  
482 N. Mariposa Rd, Bldg. A  
Nogales, AZ 85621  
Tel: (888) 364-9011  
Fax: (520) 285-5134  
Email: tech@amphenol-aio.com

Europe:  
Amphenol Industrial Operations Europe  
Via Barbaiana 5  
1-20020 Lainate (MI) Italy  
Tel: +39 02 93254.204  
Fax: +39 02 93254.444  
Email: info@amphenol-aio.com

Middle East:  
Amphenol Middle East Enterprises FZE  
Office C-37 PO Box 21107  
Ajman Free Zone, UAE  
Tel: +9 716-7422494  
Fax: +9 716-7422941  
Email: jhussain@amphenol-industrial.com

Asia:  
Amphenol Technology (Shenzhen) Co., Ltd.  
Building C, 2nd Industrial Zone of XIA Shi Jia  
Gongming Sub-district, Guangming New-district  
Shenzhen, China 518106  
Tel: +86 755-29918389  
Email: tech@amphenol-industrial.com