

# Amphenol®



## GT Quadrax Series Connector

Amphenol Industrial Operations now offers the high speed contact that can be implemented in Amphenol's GT series connectors and used in hazardous environments.

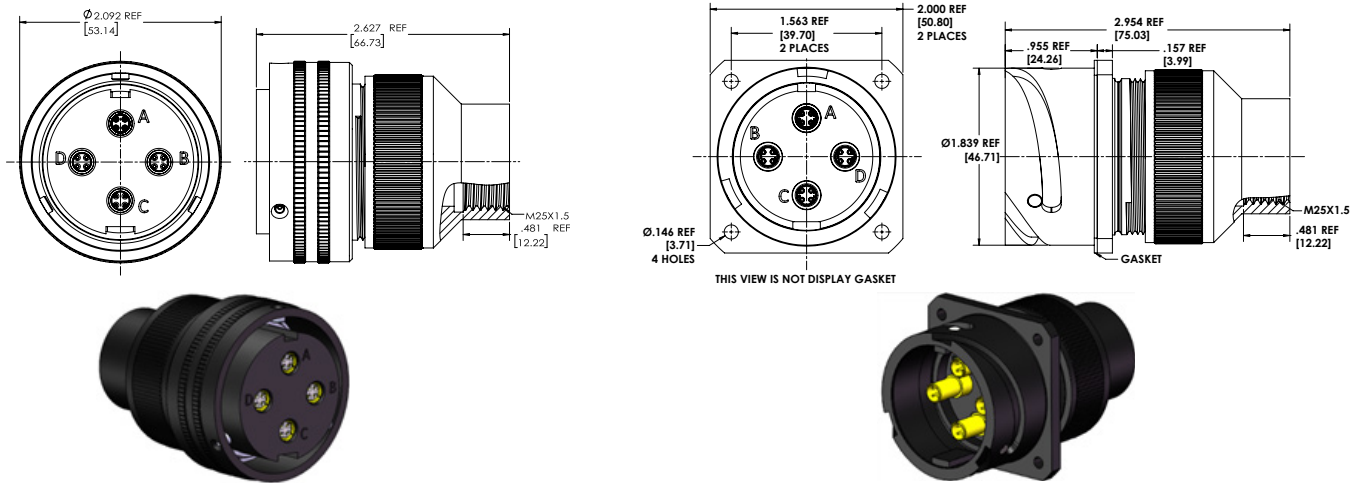
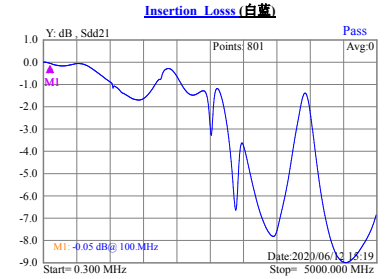
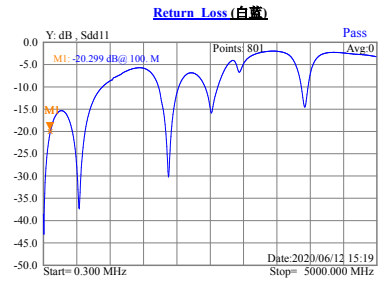
Ideal for rolling stock manufacturers, factory automation solution providers and control device manufacturers, these contacts feature high EMI shielding performance, reverse bayonet locking for ease of use, high shock and vibration resistance for up to 500 mating cycles and quick positive coupling.

Quadrax contacts have a bandwidth up to 1.25 GHz, a data rate exceeding 2.5 Gbps, a maximum voltage rating of 500 Vrms at sea level and 1000 VAC rms between all inner contacts at sea level and 500 VAC rms between inner and outer contacts at sea level.

### Features:

- Operating temperature range: -55°C~125°C
- Quick positive coupling
- Audible, tactile and visual indication of full coupling
- High shock and vibration capabilities
- Rugged construction; aluminum or stainless steel components
- IP67-IP69K in mated condition according to EN60068-1
- Four strategically spaced inner contacts form two 100 or 150 Ohm matched impedance differential pairs
- Outer contact has rugged wall section for durability
- Meets performance specifications of CAT5e cable

Technical Data	
Operating Temperature Range	-55°C to +125°C
Durability (Mating Cycle)	2000
Coupling	Reverse Bayonet - Quick positive coupling
Ingress Protection	IP67 - IP69K in mated condition according to EN60068-1
Corrosion Resistance	Up to 500 hours salt spray depending on plating option
RoHS / REACH	Compliant with proper plating
Bandwidth	Up to 1.25 GHz
Insertion Loss	≤0.4dB@100MHz
Return Loss	≤20dB@100MHz
Voltage Rating	50 Vrms max. @ sea level



Part Number	Insert Arrangement	Shell Size	Cable OD
GTC06AQX28-BLS(025)(M25)(LC)	28-BL	28	Ø5-8mm

Part Number	Insert Arrangement	Shell Size	Cable OD
GTC030AQX28-BLP(025)(M25)(LC)	28-BL	28	Ø5-8mm

Connector Type	Shell Style	Connector Type	Service Classes	Shell Size and Insert Arrangement	Contact Type		Alternate Insert Rotation	Shell Plating		Internal Thread	Contact Type		
					P	Pin		(023)	Electroless Ni		(LC)	less contact	
GTC	030, 01, 06, 070	QX	A	Accessory with wire sealing grommet and internal thread conduit fitting	Consult Factory	P	Pin	W, X, Y, Z	(023)	Electroless Ni	Metric or PG thread	(LC)	less contact
			E	Accessory with wire sealing grommet		S	Socket		(025)	contact impedance resistance 100 OHM	(100Ω)	contact impedance resistance 100 OHM	
			Omit	without accessory					(072)	Gray ZnNi	(120Ω)	contact impedance resistance 120 OHM	
											(150Ω)	contact impedance resistance 150 OHM	

For further information on your individual application requirements, contact: Amphenol Corporation

North America:  
Amphenol Industrial Operations  
180 N. Freepoint Drive, Plant 4  
Nogales, AZ 85621  
Tel: (888) 364-9011  
Fax: (520) 285-5134  
Email: tech@amphenol-aio.com

Europe:  
Amphenol Industrial Operations Europe  
Via Barbaiana 5  
1-20020 Lainate (MI) Italy  
Tel: +39 02 93254.204  
Fax: +39 02 93254.444  
Email: info@amphenol-aio.com

Middle East:  
Amphenol Middle East Enterprises FZE  
Office C-37 PO Box 21107  
Ajman Free Zone, UAE  
Tel: +9 716-7422494  
Fax: +9 716-7422941  
Email: jhussain@amphenol-industrial.com

Asia:  
Amphenol Technology (Zhu Hai) Co., Ltd.  
No. 63 Xing Han Road, San Zao Town  
Jin Wan District, Zhu Hai City, China 519040  
Tel: +86 756-3989760  
Fax: +86 756-3989768  
Email: enquiry@amphenol-aio.com