

# Amphenol®



## ER Series SAE J1772 Charging Cable/Inlet



## Amphenol Industrial Operations

Amphenol Industrial Operations, headquartered in a 30,000 square foot facility in Endicott, N.Y., provides a full range of high reliability power/signal connectors and interconnection systems specifically for the industrial markets including rail/mass transit, process control, automotive manufacturing, heavy equipment, wireless base stations and petrochemical/power generation.

Products include ruggedized-for-industry cylindrical, rectangular, fiber optic, signal and power, RADSOK power and power-to-board solutions, cable and harness assemblies, as well as industrialized versions of Amphenol's SAE AS 50151 cylindrical, MIL-DTL-26482 miniature cylindrical and GT reverse bayonet cylindrical connectors. Amphenol Industrial Operations employs more than 1,400 people globally and is ISO9001, TS96949 and MIL-STD-790 certified.



## Amphenol Technology (Zhuhai) Co., Ltd

Established in 2007, Amphenol Technology (Zhuhai) Co., Ltd. is a manufacturing facility for Amphenol Industrial Operations, which serves a number of industrial markets. Included but not limited to Factory Automation, Transportation, Heavy Equipment, Alternative Energy, Energy Storage. Server/Data Comm and Power Distribution.

Amphenol Technology (Zhuhai) Co., Ltd. covers an area of 276,000 ft<sup>2</sup> and is equipped with CNC, plating, injection molding and assembly workshops. This plant specializes in the design and manufacturing of industrial connectors featuring high power, high density, medium to high voltage electrical properties, and harsh environment applications. With industry leading engineering, design and manufacturing expertise, Amphenol Technology (Zhuhai) Co., Ltd. has earned more than 60 utility patents on its innovative interconnects.

Many of the products produced have been certified by independent standards including UL, IEC/TUV, ATEX, IECEX and MA. The facility is also certified to ISO 9001, ISO 14001 and IATF 16949.

## Product Description

AC charging cable with Vehicle Connector and open cable end for charging electric vehicles (EV) with alternating current (AC) via type 1 Vehicle Inlets, for installation at charging stations for E-Mobility (EVSE)

### Product Definition

<b>Power Supply type</b>	AC Charging
<b>Connector type</b>	Type1
<b>Powering system</b>	Single phase (120V AC level 1, 250V AC Level2)
<b>Cable rating</b>	level 2
<b>Charging speed</b>	Private and Slow
<b>Mode types</b>	2, 3
<b>Standards/Regulation</b>	SAE J1772 IEC 62196-1/2
<b>Certification</b>	UL2251 E

### Mechanical

<b>Mating Cycles</b>	10000+
<b>Insertion/Withdrawal Force</b>	Less Than 75N

### Electrical

<b>Voltage Rating Of Power</b>	Up to 250V AC
<b>Current Rating Of Power</b>	20A, 32A, 40A, 50A, 80A

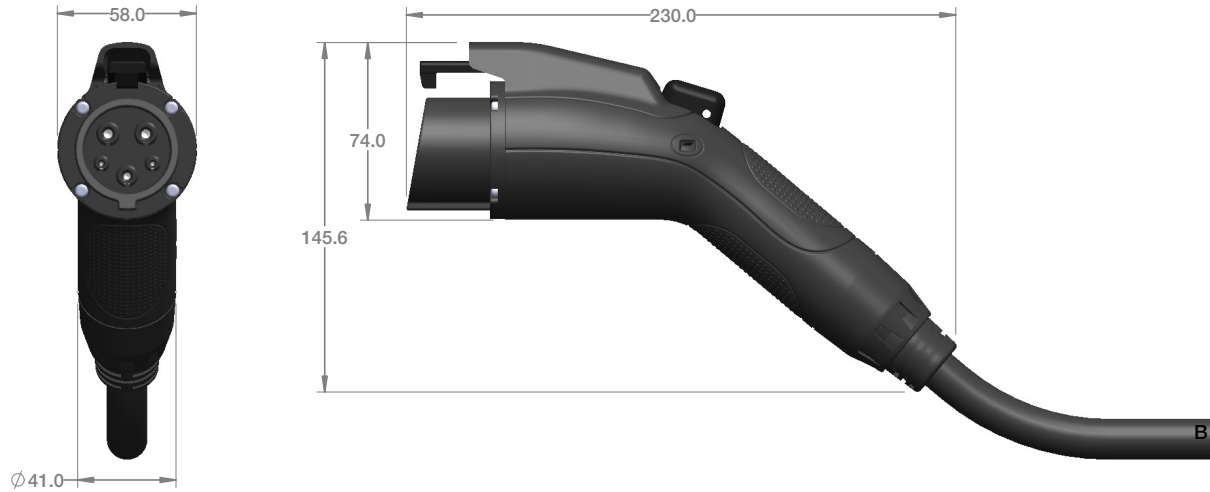
### Environmental

<b>Salt Spray</b>	96H
<b>Degree of Protection</b>	Type 3S
<b>Ambient Temperature (Operation)</b>	-30°+50°C
<b>Ambient Temperature (Storage and transport)</b>	-40°+80°C

### Material

<b>Shell</b>	PC
<b>Contact</b>	Copper
<b>Sealing</b>	Silicone
<b>Cable</b>	TPE

# AC Charging Cable (mm)



## How to Order

1. Product Series	2. Connector Type	3. Vehicle Connector	4. Cable Voltage Rating	5. Cable Length	6. Accessories	7. Lock Hole	8. Modification
<b>ER</b>	<b>T1</b>	<b>VC</b>	<b>20</b>	<b>15</b>	<b>W</b>	<b>0</b>	<b>(001)</b>

1. Product Series
<b>ER</b>

2. Connector Type
<b>T1</b>   Type 1 (SAE J1772)

3. Vehicle Connector
<b>VC</b>   VC: Vehicle Connector (Charging Gun)

4. Cable Voltage Rating
<b>20</b>   20A
<b>32</b>   32A (Level2 250VAC)
<b>40</b>   40A (Level2 250VAC)
<b>50</b>   50A (Level2 250VAC)
<b>80</b>   80A (Level2 250VAC)

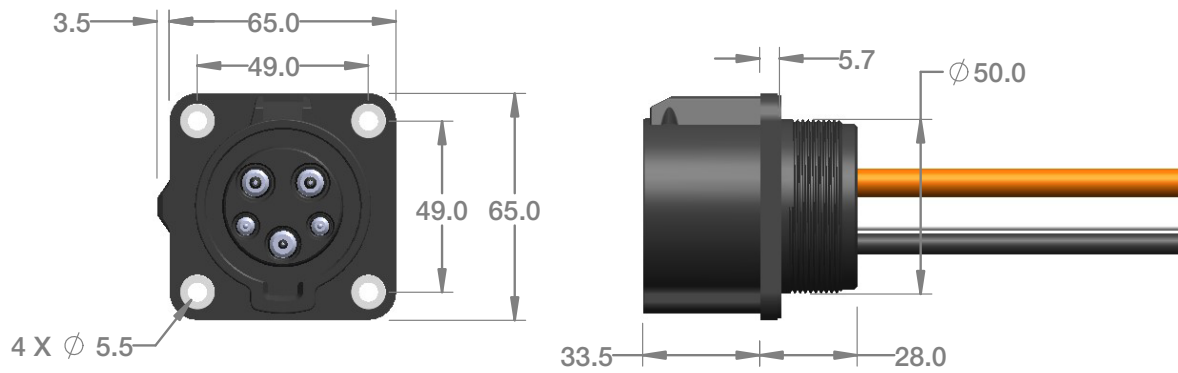
5. Cable Length
<b>15</b>   15 Feet
<b>XX</b>   XX feet (1FT=0.3048m)

6. Accessories
<b>W</b>   With Cap
<b>N</b>   No Cap

7. Lock Hole
<b>0</b>   Without secondary lock hole on the latch
<b>1</b>   With secondary lock hole on the latch (Page 6 view)

8. Modification
<b>(001)-(999)</b>   Customer Specific Modification

# AC Charging Inlet (mm)



## How to Order

1.	2.	3.	4.	5.	6.	7.
Product Series	Connector Type	Vehicle Inlet	Cable Voltage Rating	Cable	Accessories	Modification
ER	T1	VI	20	02	W	(001)

1. Product Series
ER

2. Connector Type
T1   Type 1 (SAE J1772)

3. Vehicle Inlet
VI   Vehicle Inlet

4. Cable Voltage Rating
20   20A (Cable Rated Voltage:1000VAC)
40   40A (Cable Rated Voltage:1000VAC)
80   80A (Cable Rated Voltage:1000VAC)

5. Cable
02   2 Feet
XX   XX Feet (1FT=0.3048m)
00   No Cable

6. Accessories
W   With Cap
N   No Cap

7. Modification
(001)-(999)   Customer Specific Modification

## Accessories



Optional Secondary Lock



Optional Accessory Key  
P/N ZH-794151-000



**AMPHENOL CORPORATION**  
**Amphenol Industrial Operations**

Phone: 888-364-9011  
20 Valley Street  
Endicott, NY 13760-3600  
[www.amphenol-industrial.com](http://www.amphenol-industrial.com)

**Amphenol Technology(Zhuhai) Co., Ltd.**

No.63, Xinghan Road, Sanzao Town,  
Jinwan, Zhuhai, 519040  
China Tel: +86-756-398 9725  
Fax: +86-756-398 9768  
[www.amphenol-industrial.com](http://www.amphenol-industrial.com)  
Email: [tech@amphenol-aio.com](mailto:tech@amphenol-aio.com)